

## 613201-2-C Tire Fill System Utilizing the Aro 1" Metallic Diaphragm Pump (1:1 Ratio - Calcium Chloride Compatible)



**READ THIS MANUAL CAREFULLY BEFORE INSTALLING,  
OPERATING OR SERVICING THIS EQUIPMENT.**

It is the responsibility of the employer to place this information in the hands of the operator. Keep for future reference.

### SERVICE KITS

Use only genuine ARO® replacement parts to assure compatible pressure rating and longest service life.

637118-C for Diaphragm Pump Air Section repair.

637119-41-C for Diaphragm Pump Fluid Section repair.

### GENERAL DESCRIPTION

Operator's Manual 66610X-X-C should be used for General Information, Installation, Operation, and Maintenance.

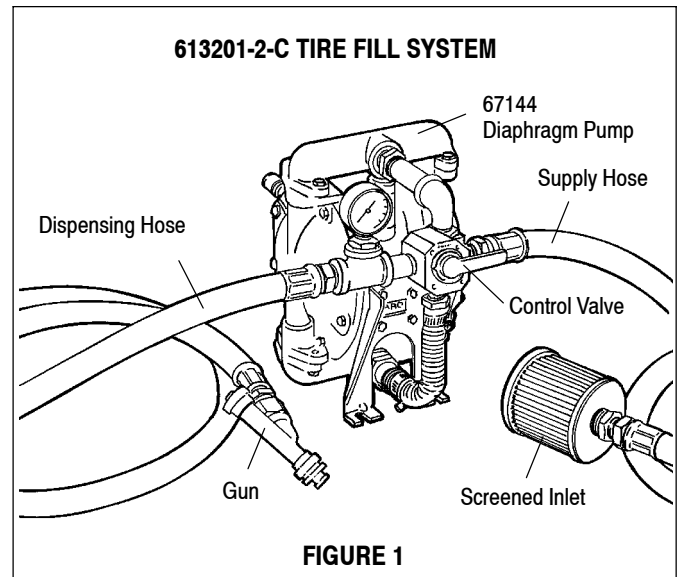
This pump system has been designed for the purpose of evacuating and filling tires with calcium chloride ballast solution.

It utilizes the 67144 1" Metallic Diaphragm Pump which features an Aluminum body and fluid manifolds, neoprene diaphragms and PTFE balls for pumping the corrosive calcium chloride ballast solution. The diaphragm pump has a 1:1 ratio which means the fluid outlet pressure will be approximately equal to the available air inlet pressure. Although the pump is capable of high volume delivery (upwards of 25 GPM at 100 PSI) filling and evacuating times will take longer due to the small restricting diameter of the tire valve.

### INSTALLATION - SET UP

The operator should make certain adequate air supply is available to the pump, be cautious of long air lines, restrictions or other effects on the air inlet pressure.

Assemble the hose / strainer and gun assembly to the pump (see figure 3) as shown. Be certain hoses are connected to proper sides of the siphon valve.



### SAFETY PRECAUTIONS

- ◇ Read and heed all Warnings, Cautions, and Safety Precautions before operating this pump.
- ⚠ **WARNING** DO NOT EXCEED MAXIMUM INLET AIR PRESSURE OF 120 PSI (8 BAR). Operating pump at higher pressure can cause pump damage.
- ⚠ **WARNING** HAZARDOUS PRESSURE. Can result in serious injury or property damage. Do not service or clean pump, hoses or dispensing valve while the system is pressurized.
- ⚠ **CAUTION** Be certain all operators of this equipment have been trained for safe working practices, understand it's limitations, and wear safety goggles / equipment when required.

## OPERATION

**⚠ WARNING** DO NOT EXCEED MAXIMUM INLET AIR PRESSURE OF 120 PSI (8.2 Bar). OPERATING PUMP AT HIGHER PRESSURE CAN CAUSE PUMP DAMAGE.

### CONTROL VALVE OPERATION

TO FILL - TURN CONTROL VALVE LEVER CLOCKWISE

TO EVACUATE - TURN CONTROL VALVE LEVER COUNTER-CLOCK WISE (BACK 90°)

To purge the system of air:

1. Place the hose / screen assembly into barrel or drum of material.
2. Supply air to pump and adjust the air regulator to a few pounds and cycle pump slowly to prime system while holding gun in the fluid container.
3. Allow the pump to continue cycling until the pump primes and the air has been eliminated from the system.

### SYSTEM OPERATION - FILLING TIRE

Jack up the vehicle and rotate the tire until the valve stem is located at top of the wheel. NOTE: Adapter (D) and core remover (2) are used only for 1-piece valves.

**CAUTION:** Disconnect air supply to the pump while making connection to valve stem.

### CONNECTING TO VALVE STEM

To connect to 2-piece valve stem:

1. Remove the (B) adapter from the gun assembly.
2. Thread the (B) adapter onto the valve stem, finger tight.
3. Thread the swivel nut on the (B) adapter onto the gun. The (A) handle should be pulled back from the (B) adapter. (Make sure the gasket in the (B) adapter is in place.)

### REMOVING THE VALVE CORE & FILLING TIRE

1. Push the (A) handle in until it makes contact with valve core.
2. Hold the gun ass'y. with one hand and hit the (A) handle with the other, driving the core remover onto the valve core.
3. Turn the (A) handle counter-clockwise and completely un-thread the core from valve stem.
4. Pull the (4) handle all the way back from valve stem. Move the handle of the siphon valve to FILL position, fill tire.

Periodically check pressure in tube. The tube will be about 2/3 full when pressure reaches 30 lbs.

5. Move the handle of the siphon valve to EVACUATE position (counter-clockwise) until air bubbles stop coming up in liquid container. Continue filling the tire until recommended volume or weight is reached.

### DISCONNECTING AFTER FILLING TIRE

1. Shut pump off. Place valve core into valve stem with (4) handle.
2. Turn (4) handle of gun to the right or clockwise threading valve core into valve stem tightly.
3. Pull the (4) handle back from valve stem. Then turn handle of siphon valve to EVACUATE position. Remove gun ass'y and (B) adapter from valve stem.

### PROPER TIRE PRESSURE

Inflate tire to 8 - 10 psi above recommended tire pressure.

With valve stem at top bleed until it is 1 or 2 psi above recommended tire pressure.

Let vehicle off jack, with valve stem located at bottom of the wheel check pressure with an air-water gauge.

### REMOVING FLUID FROM TIRE

1. Jack up the vehicle, rotate the tire so that the valve stem is at the bottom of the wheel.
2. Connect the gun to the valve stem (see Connecting to Valve Stem).
3. After connection has been made remove the valve core (see Filling Tire Instructions).
4. Start pump, turn handle of siphon valve to EVACUATE position. Continue to run pump until fluid level in container no longer increases, then shut pump off.
5. Place valve core into valve stem and remove the gun (see Disconnecting Instructions).

### MAINTENANCE

The air line should be disconnected from the air motor if the pump sets idle for long periods of time.

Periodically clean and inspect the material screen asm.

66239 GUN ASM.

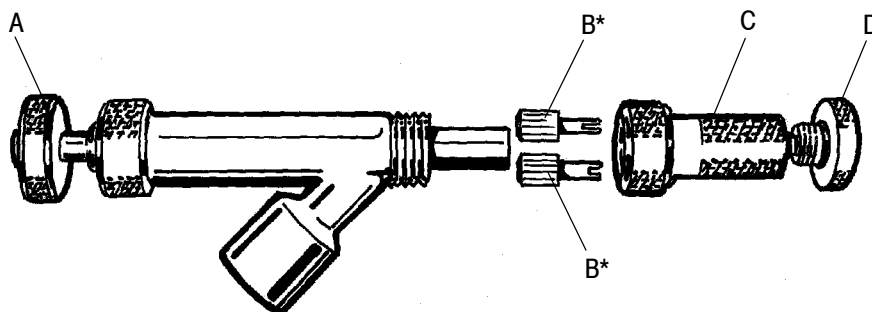
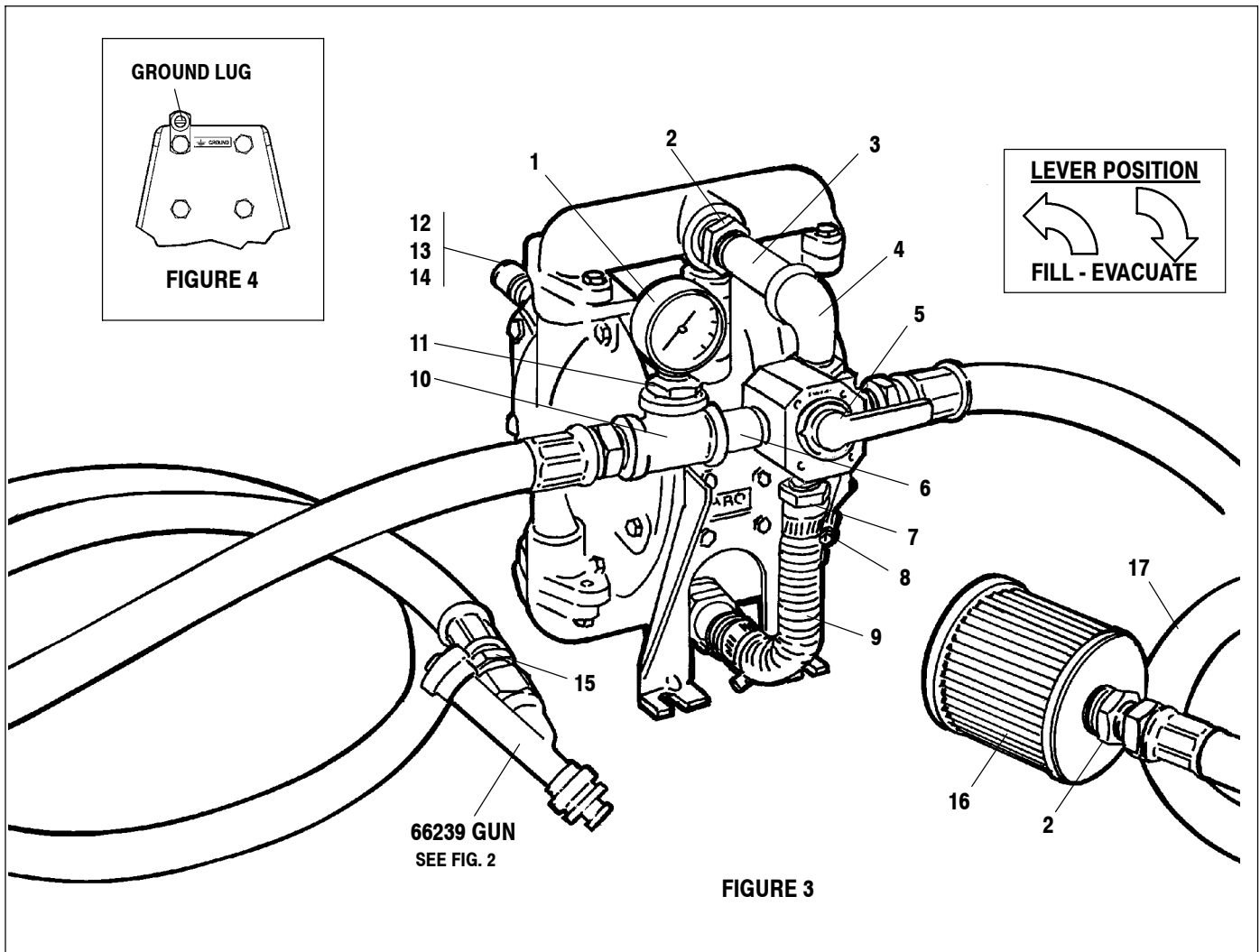


FIGURE 2

\* Choose the proper core remover to fit the valve core.

## 613201-2-C TIRE FILL SYSTEM



### 613201-2-C PARTS LIST

ITEM	DESCRIPTION (Size in inches)	(QTY)	PART NO.		ITEM	DESCRIPTION (Size in inches)	(QTY)	PART NO.
1	Gauge	(1)	73338		10	Fitting (3/4)	(1)	Y43-135
2	Reducing Bushing (1 x 3/4)	(3)	Y45-213		11	Bushing (3/4 x 1/4)	(1)	Y45-207
3	Nipple (3/4 x 4)	(1)	Y44-345		12	Nipple	(1)	1950
4	Elbow (3/4)	(1)	Y43-105		13	Union	(1)	75364
5	Control Valve Assembly	(1)	60155		14	Check Valve (Regulator)	(1)	104104-NS2
6	Nipple (3/4)	(1)	Y27-25		15	Connector (3/4 x 1/2)	(1)	Y167-14
7	Insert	(2)	76958		16	Material Strainer	(1)	79198
8	Clamp	(2)	61204-1		17	Hose Assembly (10 Ft)	(2)	622651-10
9	Tubing	(1)	72255-8-H			Gun Assembly (See Fig 2)	(1)	66239

