

AGITATOR / AGITADOR / AGITATEUR 65782, 651103, 651104-X, 651852, 651853



**READ THIS MANUAL CAREFULLY BEFORE INSTALLING,
OPERATING OR SERVICING THIS EQUIPMENT.**

It is the responsibility of the employer to place this information in the hands of the operator. Keep for future reference.



**LEA CUIDADOSAMENTE ESTE MANUAL ANTES DE INSTALAR
ESTE EQUIPO, OPERARLO O REALIZARLE SERVICIO.**

El empleador es responsable de poner esta información en manos del operador.



**LIRE ATTENTIVEMENT CE MANUEL AVANT D'INSTALLER,
D'UTILISER OU DE REPARER CET APPAREIL.**

L'employeur est chargé de mettre ces informations à la disposition de l'opérateur.

**Includes: 650250 air motor, air control valve.
Incluye: 650250 motor de aire, valvula de control.
Comprend: 650250 moteur pneumatique, clapet de commande.**

Model Modelos Modeles	Size	Rod Vatilla Tige	Type Tipo Type	Propellor Helice
651103	55G	316 S'STL	Drum side style / Estilo del lado del tambour / Modele avec tambour lateral	2 (RH)
651104-1	55G	316 S'STL	Flange / Brida / Bride	1 (RH), 1 (LH)
651104-3	5G	316 S'STL	Flange / Brida / Bride	1 (RH)
651852	55G / 400#	CS	W / 66197 drum cover / tapa del tambor / couvercle de tambour	1 (RH), 1 (LH)
651853	55G	316 S'STL	W / 67141 SS drum cover / tapa del tambor / couvercle de tambour	1 (RH), 1 (LH)
65782	55G	CS	Flange / Brida / Bride	2 (RH)

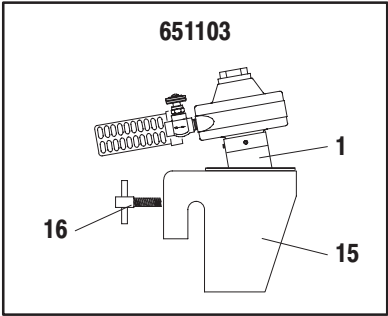
SPECIFICATIONS / ESPECIFICACIONES / SPECIFICATIONS

Max. Air Inlet Pressure	100 p.s.i. (6.9 bar)
Horsepower	0.95 HP
R.P.M. Range	300 - 3000
Air Inlet / Toma De Aire / Admission D'air	1/4 - 18 N.P.T.
Rotation	Counter-clockwise / Sentido Contrario / Sens Antihoraire
Muffler / Silenciador / Silencieux	Included / Incluido / Compris

PARTS LIST / LISTA DE PIEZAS / LISTE DES PIÈCES

Item Elemento Article	Description (size in inches) Descripción (tamaño en pulgadas) Description (taille en pouces)	Qty Cant. Quan.	651103 (55 gal.)	651104-1 (55 gal.)	651104-3 (5 gal.)	651852 (55 gal.)	651853 (55 gal.)	65782 * (55 gal.)
1	Motor Base	(1)	66085	75704	75704	75704	75704	75704
2	90° Street Elbow (1 - 11-1/2 N.P.T.F.)	(1)	-----	-----	-----	-----	Y43-16-S	-----
3	Thumb Screw (1/4" - 20 x 3/4")	(1)	-----	-----	-----	-----	94078	-----
4	Lid	(1)	-----	-----	-----	-----	94411	-----
5	Cover	(1)	-----	-----	-----	66197	67141	-----
6	Screw (5/16" - 18 x 5/8")	(3)	Y6-52-C	Y8-58-S	Y8-58-S	Y8-58-C	Y8-58-S	Y8-58-C
7	Washer (5/16")	(3)	Y14-516	-----	-----	-----	-----	-----
8	Nut (5/16" - 18)	(3)	Y12-5-C	Y170-5-S	Y170-5-S	Y12-5-C	Y170-5-S	Y12-5-C
9	Set Screw (1/4" - 20 x 1/4")	(4)	Y29-42-S	Y29-42-S	Y29-42-S	Y29-42	Y29-42-S	Y29-42-S
10	Adapter	(1)	75708	92348	92348	75708	92348	75708
11	Propellor LH Pitch	(1)	-----	94782-1	-----	73121	94782-1	-----
12	Rod	(1)	92094-1 (32")	92094-1 (32")	92094-3 (10-1/2")	73120 (32")	92094-1 (32")	73120 (32")
13	Propellor RH Pitch	(X)	94783-2 (Qty 2)	94783-2 (Qty 1)	94783-2 (Qty 1)	73122 (Qty 1)	94783-2 (Qty 1)	94783-2 (Qty 2)
14	Tube	(1)	-----	-----	-----	91565	94415-2	-----
15	Drum Bracket	(1)	66086	-----	-----	-----	-----	-----
16	"T" Screw	(1)	61115	-----	-----	-----	-----	-----
17	Bung Adapter	(1)	-----	-----	-----	71092	-----	-----
18	Screw	(X)	-----	-----	-----	Y6-52-C (3) (5/16" - 18 x 5/8")	-----	Y6-42-C (2) (1/4" - 20 x 5/8")
19	Nut	(X)	-----	-----	-----	Y12-5-C (3) (5/16" - 18)	-----	Y12-4-C (2) (1/4" - 20)
20	Clamp	(2)	-----	-----	-----	75712	-----	90627-2
21	Spool	(1)	-----	-----	-----	83187	-----	83187
22	Washer (spacer) (1/4")	(2)	-----	-----	-----	-----	-----	Y13-4-C

- 1 Model 65782 includes 90417-3 tube, 59745-156 male elbow, 59688-156 connector (not shown).
 Modelo 65782 incluye 90417-3 tubo, 59745-156 codo macho, 59688-156 conector (no mostrado).
 Modèle 65782 comprend 90417-3 tuyau, 59745-156 coude mâle, 59688-156 connecteur (non illustré).



Muffler (included with motor)
 Silenciador
 Silencieux

92818 Needle Valve
 Valvula de Aguja
 Robinet a Pointeau

650250 Air Motor Assembly
 Motor de Aire
 Moteur Pneumatique

Y23-101 (Qty 2) Set Screw
 Tornillo Prisonero
 Vis Sans Tete

