

SALES AND ENGINEERING DATA

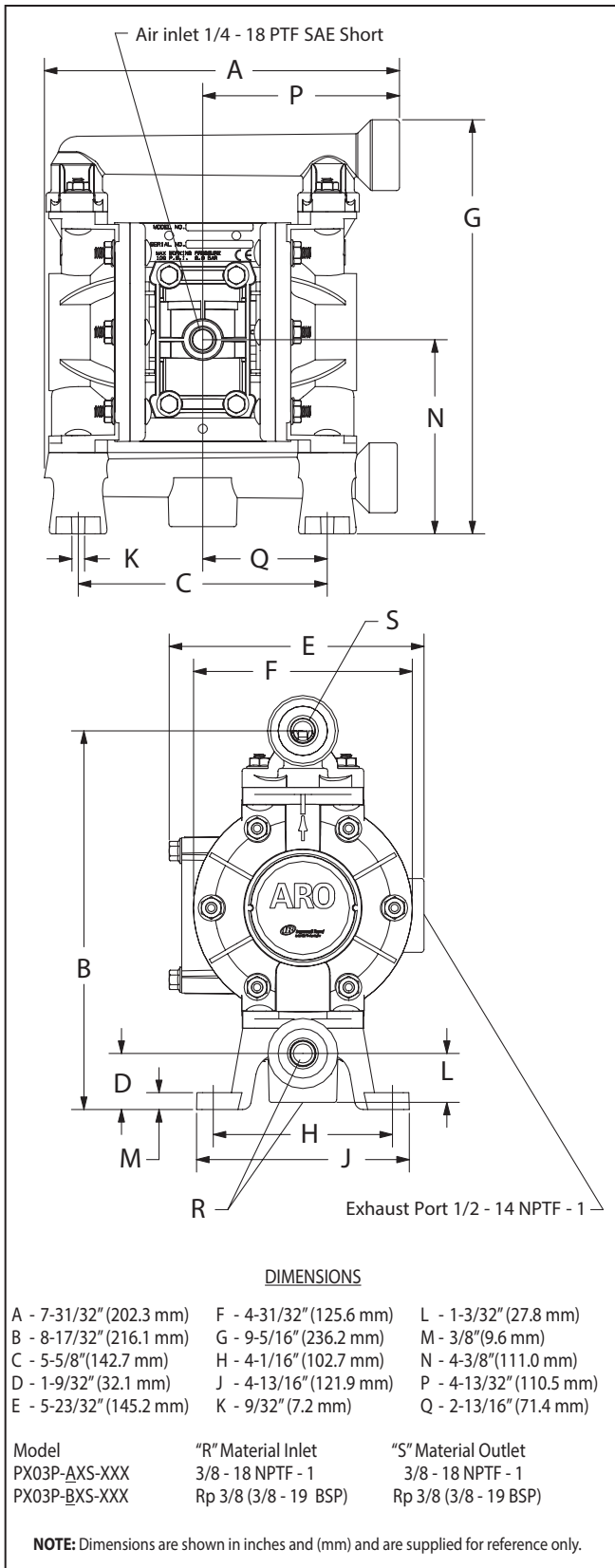
RATIO SERIES: **1:1**

FLUID P.S.I. RANGE: **10 - 100**

RELEASED: 2-17-06
 REVISED: 12-17-21
 (REV. H) S-1386

PD03P-XXS-XXX AND PE03P-XXS-XXX 3/8" NON-METALLIC DIAPHRAGM PUMP

DIMENSIONAL DATA



SPECIFICATIONS

Model Series	PD03P-XXS-XXX PE03P-XXS-XXX
Pump Type	Non-Metallic, Air Operated, Double Diaphragm
Ratio	1:1
Material Inlet / Outlet (female)	
PX03P-AXS-XXX	3/8 - 18 NPTF - 1
PX03P-BXS-XXX	Rp 3/8 (3/8 - 19 BSP parallel)
Air Inlet (female)	1/4 - 18 PTF SAE short
Air Exhaust (standard)	internal
(optional)(female)	1/2 - 14 NPTF - 1
Weight	
PX03P-XDS-XXX	4.16 lbs (1.89 kgs)
PX03P-XES-XXX	4.26 lbs (1.93 kgs)
PX03P-XKS-XXX	4.50 lbs (2.04 kgs)
PX03P-XLS-XXX	4.62 lbs (2.10 kgs)
PX03P-XPS-XXX	3.44 lbs (1.56 kgs)
PX03P-XRS-XXX	3.50 lbs (1.59 kgs)
Air Section Service Kit	637428
Fluid Section Service Kit	637429-XX

PX03P-XXS - X[] [] - C

637429 - [] []

└─ Diaphragm Material
 └─ Ball Material

EXAMPLE: Model #PD03P-ARS-SAA
 Fluid Section Service Kit is 637429-AA

PERFORMANCE

Air Inlet Pressure Range	10 - 100 psig (0.69 - 6.9 bar)
Maximum Material Inlet Pressure ..	10 psig (0.69 bar)
Fluid Pressure Range	10 - 100 psig (0.69 - 6.9 bar)
Maximum Flow Rate (flooded inlet)	
ball check	10.6 gpm (40.1 lpm)
duckbill	8.7 gpm (32.9 lpm)
Displacement / Cycle @ 100 psig	
ball check	0.022 gal. (0.083 lit.)
duckbill	0.018 gal. (0.068 lit.)
Maximum Particle Size - ball check ..	1/16" dia. (1.6 mm)
duckbill	fibers
Maximum Temperature Limits (diaphragm / ball / seat material)	
Acetal	-20° to 180° F (-29° to 82° C)
E.P.R / EPDM	-60° to 280° F (-51° to 138° C)
Hytrel®	-20° to 180° F (-29° to 82° C)
Kynar® PVDF	10° to 200° F (-12° to 93° C)
Neoprene	0° to 200° F (-18° to 93° C)
Nitrile	10° to 180° F (-12° to 82° C)
Polypropylene	32° to 175° F (0° to 79° C)
Santoprene®	-40° to 225° F (-40° to 107° C)
PTFE	40° to 225° F (4° to 107° C)
Viton®	-40° to 350° F (-40° to 177° C)
Noise Level @ 70 psig - 60 cpm	72.7 dB(A) ^①

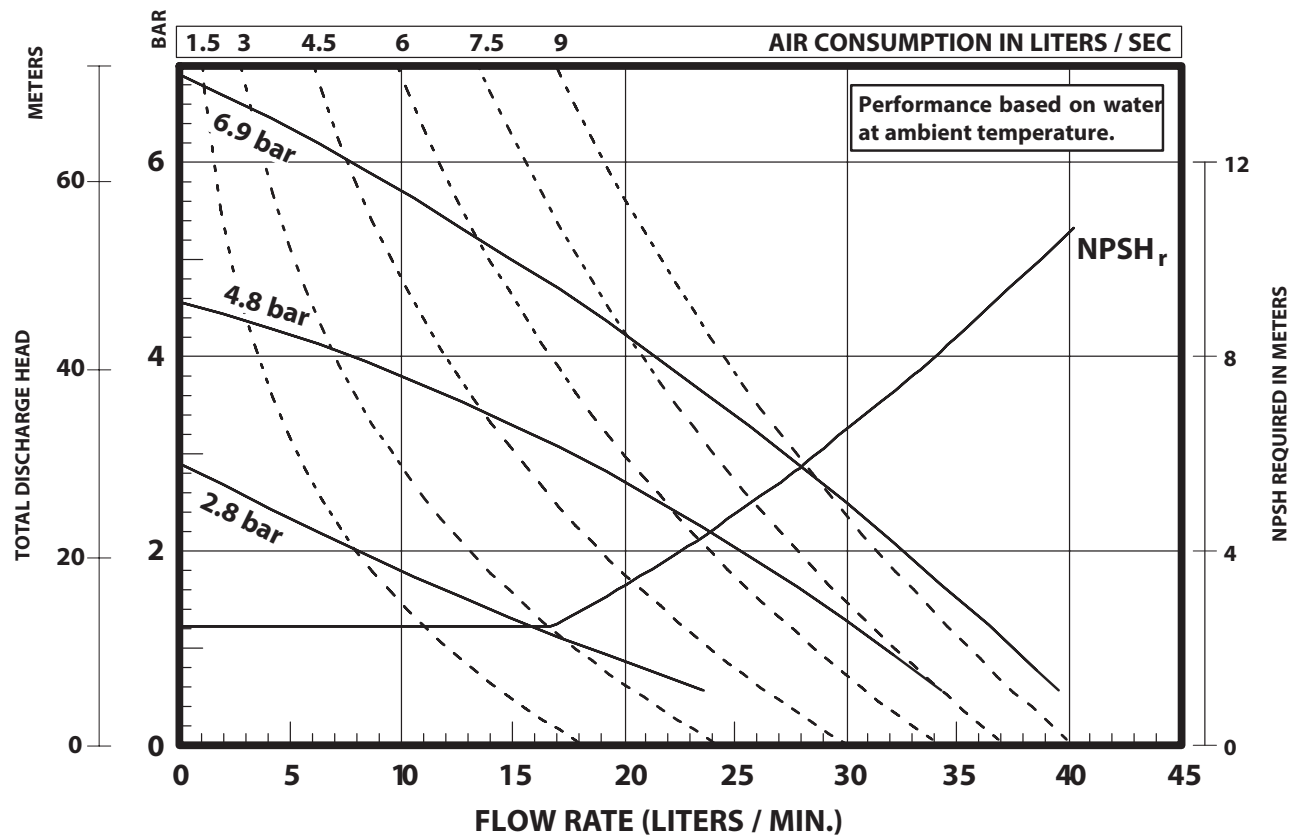
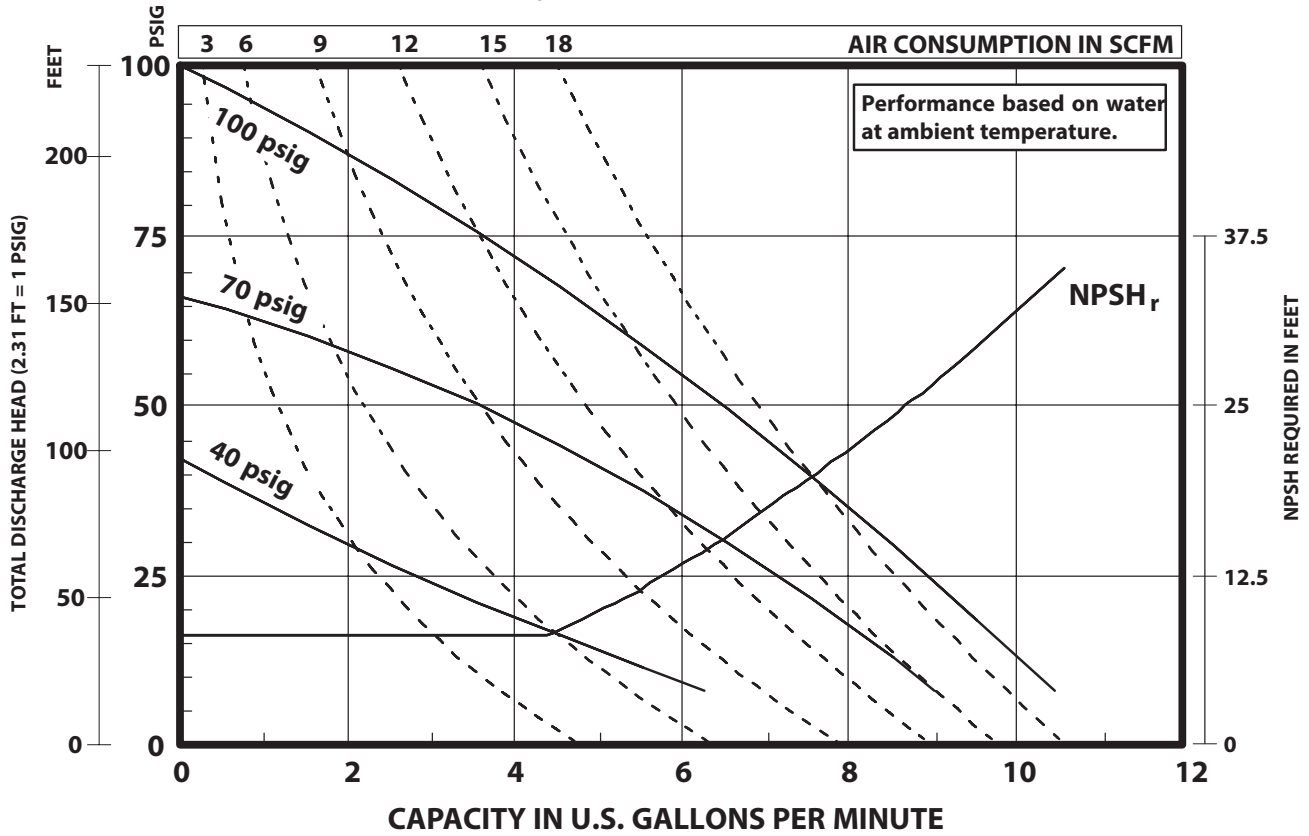
① The pump sound pressure level has been updated to an Equivalent Continuous Sound Level (LAeq) to meet the intent of ANSI S1.13-1971, CAGI-PNEUROP S5.1 using four microphone locations.

ACCESSORIES:
 66073-1 Air Line Connection Kit
 76763 Wall Mount Bracket

Dual Inlet/Dual Outlet Kits:
 637442-1 (NPT Polypropylene)
 637442-2 (NPT Acetal)

PERFORMANCE CURVES

PX03P-XXS-XXX 3/8" NON-METALLIC DIAPHRAGM PUMP



PERFORMANCE CURVES

PE03P-XXS-XXX-XXEX and PE03P-XXS-XXX-XXFX 3/8" NON-METALLIC DIAPHRAGM PUMP

