

SALES & ENGINEERING DATA

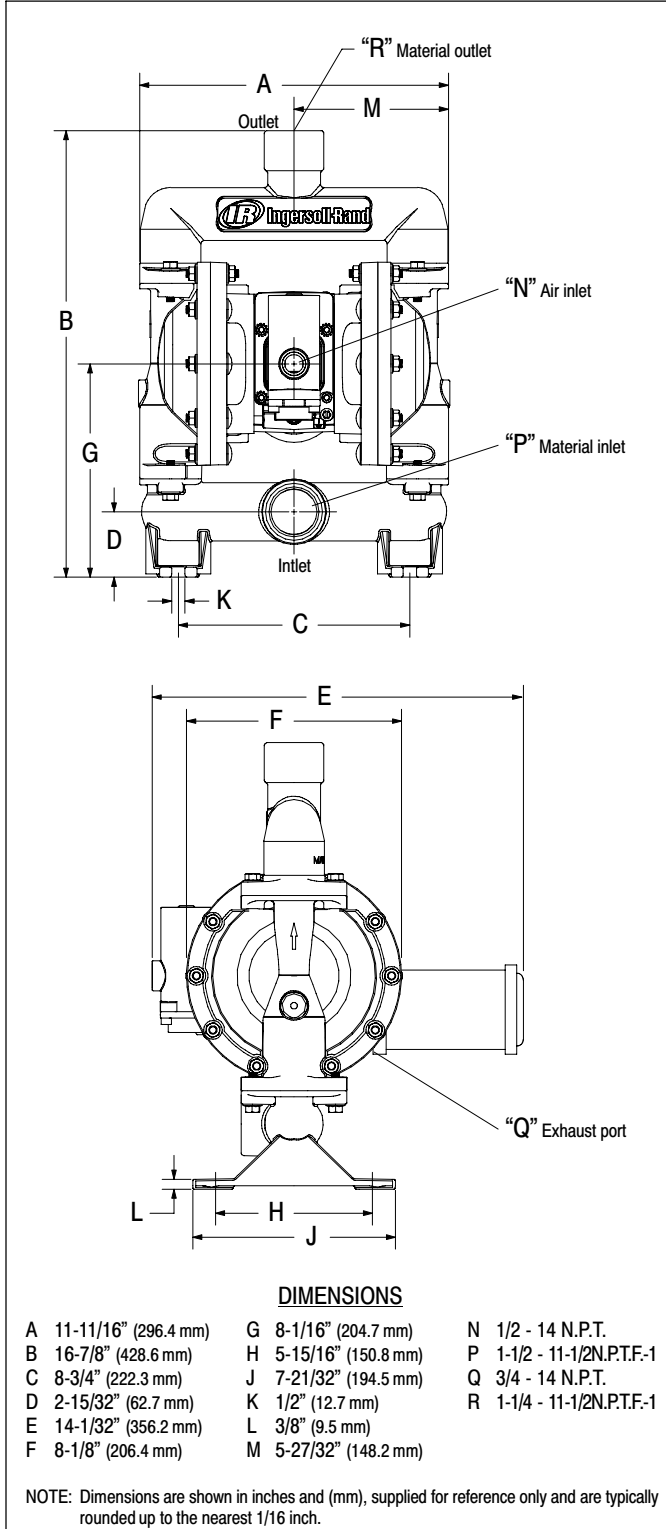
RATIO SERIES: **1:1**

FLUID P.S.I. RANGE: **20 - 120**

PW10A-AAX-XXX 1" METALLIC DIAPHRAGM PUMP

RELEASED: 2-13-06
REVISED: 6-10-10
(REV. 02) S-1308

DIMENSIONAL DATA



SPECIFICATIONS

CONSTRUCTION

Model Series PW10A-AAX-XXX
 Pump Type Metallic, Air Operated, Double Diaphragm
 Ratio 1:1
 Material Inlet (female) 1-1/2 - 11-1/2 N.P.T.F. - 1
 Material Outlet (female) 1-1/4 - 11-1/2 N.P.T.F. - 1
 Air Inlet (female) 1/2 - 14 N.P.T.
 Air Exhaust (female) 3/4 - 14 N.P.T.
 Weight 26.2 lbs (11.9 kgs)
 Air Section Service Kit 637397
 Fluid Section Service Kit 637401-XX

PW10A-AAX-X
 637433 -
 Diaphragm Material
 Ball Material

EXAMPLE: Model # PW10A-AAP-AAA
 Fluid Section Service Kit is 637401-AA

PERFORMANCE

Air Inlet Pressure Range 20 - 120 p.s.i. (1.4 - 8.3 bar)
 Maximum Material Inlet Pressure .. 10 p.s.i. (0.69 bar)
 Fluid Pressure Range 20 - 120 p.s.i. (1.4 - 8.3 bar)
 Maximum Flow Rate 60.0 g.p.m. (227.1 l.p.m.)
 Displacement / Cycle @ 100 p.s.i. . 0.234 gal. (0.89 lit.)
 Maximum Particle Size 1/8" dia. (3.3 mm)
 Maximum Temperature Limits (diaphragm / ball / seal material)
 E.P.R. / EPDM -60° to 280° F (-51° to 138° C)
 Hytrel® -20° to 150° F (-29° to 66° C)
 Nitrile 10° to 180° F (-12° to 82° C)
 Santoprene® -40° to 225° F (-40° to 107° C)
 PTFE 0° to 225° F (4° to 107° C)
 Viton® -40° to 350° F (-40° to 177° C)
 Noise Level @ 70 p.s.i. - 60 c.p.m. . 80.6 db(A)^①

① The pump sound pressure level has been updated to an Equivalent Continuous Sound Level (L_{Aeq}) to meet the intent of ANSI S1. 13-1971, CAGI-PNEUROPS S5.1 using four microphone locations.

ACCESSORIES:

66073-2 Air Line Connection Kit

INGERSOLL RAND COMPANY LTD

209 NORTH MAIN STREET - BRYAN, OHIO 43306

☎ (800) 495-0276 • FAX(800) 892-6276

www.ingersollrandproducts.com

© 2010

CCN 15207848

ARO

IR Ingersoll Rand
Industrial Technologies

PERFORMANCE CURVES

PW10A-AAX-XXX 1" METALLIC DIAPHRAGM PUMP

